



globalNETWORK

MP ALGERIA · MP AUSTRALIA · MP AUSTRIA · MP CZECH REP. · MP CHILE · MP CHINA · MP FRANCE · MP GREECE · MP ITALY
MP JORDAN · MP MEXICO · MP MOROCCO · MP NETHERLANDS · MP PORTUGAL · MP RUSSIA · MP SPAIN · MP SEWDEN

www.mpelevacion.com



MP | MEDIClift

MP | MEDIClift
Bedlifts

FOR ANY TYPE OF HEALTH CENTRE





INNOVATION FOR COMFORT

MP MEDIC lift

Vertical transport of beds and stretchers

When the ability to respond becomes vital

MP Medic lift is MP's response to the **elevation needs of health centres**. The kind of activity carried out inside these buildings establishes a series of specific requirements and limitations that have to be taken into account during lift installation. Whereas in normal conditions spaciousness and passenger's comfort are important elements, in these environments **agility, freedom of movement, security and hygiene** can be literally vital components. These lifts have to be prepared for intense and permanent operation, high levels of traffic and heavy loads.

This is why MP has created a line of lifts that fulfils all of the above mentioned criteria. The MP Medic lift line offers versatile solutions able to adapt to the needs of **any type of health and medical centre, residence, clinic, hospital** of any size. MP provides various options including the latest in technological innovations.


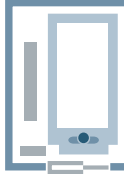

OPTIONS INCREASING ACCORDING TO YOUR NEEDS



TECHNOLOGY

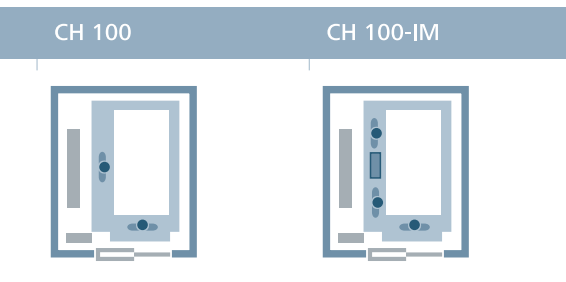
Innovations at the service of health

MP Medic lift is the ideal solution for the vertical transport of beds and stretchers, whatever your specific needs may be. The line includes a wide range of options that can adapt to any requirement: **product utility, necessary space, load capacity, response accuracy**. Our advisory service helps you to choose the optimum solution, that is in compliance with current regulations.

CA 60	CR 90	CH 90
		
600 mm- wide stretchers with removable handle 1100 mm-wide and 2100 mm-deep car	900mm x2000mm beds in hospital. 1200 mm-wide car. The person accompanying the patient can only stand at the head or foot of the bed.	900mm x 2000mm hospital beds. 1400mm-wide car. It allows a second person accompanying the patient to stand at the side of the bed.



FOR ANY TYPE OF HEALTH CENTRE



CH 100

CH 100-IM

1000mm x 2300mm hospital beds. 1500mm-wide car. It allows persons accompanying the patient to stand at the side and at the head of the bed.

1000mm x 2300mm hospital beds. 1800mm-wide car. Apart from persons accompanying the patient, it allows for medical instrumentation.

TRACTION		
H [hydraulic]	V [frequency regulation]	G [gearless]
0,5 m/s	1.0 m/s	1.0 m/s
	1,6 m/s	1,6 m/s

<p>models: capacity</p> <p>CA 60: 1000 kg</p> <p>CR 90: 1275 kg</p> <p>CH 90: 1600 kg</p> <p>CH 100: 2000 kg</p> <p>CH 100-IM: 2500 kg</p>
--

TRACTION/DRIVE TECHNOLOGY

The choice from among the wide range of traction/drive technology options depends on several variables related to the lift's future use: number of landings, traffic flows, required capacity, etc... A correct choice ensures **maximum accuracy at the landing level**, which in turn means higher performance and comfort.



CARS

Internal detailing options

Finishes adaptable to any need

MP Medic lift car options are **much more than a mere aesthetic element**. Finishes have been selected to create more practical and durable cars. They also provide **additional benefits** in terms of hygiene, patient's comfort and ease of cleaning. You can choose from among three car models which in turn offer a wide range of options. The best option for each case depends on the lift's specific use.

ION-X



TECHNICAL FEATURES

- **Walls:** Frosted Stainless AISI304.X01.
- **Wall protection:** Plastic strips.
- **Floor:** Non-slip rubber in dappled colours / Chequer plate.
- **Ceiling:** Fluorescent lighting. Soffit in satin finish stainless steel X01, a design that prevents light from shining directly into patients' eyes.
- **Mirror:** no.
- **Handrails:** 1, Tubular, at back.

SKANNER



TECHNICAL FEATURES

- **Walls:** Plastic steel. White K01.
- **Wall protection:** Plastic strips.
- **Floor:** Non-slip rubber in dappled colours
- **Ceiling:** Fluorescent lighting. Soffit in satin finish stainless steel X01, a design that prevents light from shining directly into patients' eyes.
- **Mirror:** no.
- **Handrails:** 1, Tubular, at back.
- **Skirting boards and openings:** Stainless X01.

FOR ANY TYPE OF HEALTH
CENTRE

MP | MEDICIT[®]