



globalNETWORK

MP ALGERIA · MP AUSTRALIA · MP AUSTRIA · MP CZECH REP. · MP CHILE · MP CHINA · MP FRANCE · MP GREECE · MP ITALY
MP JORDAN · MP MEXICO · MP MOROCCO · MP NETHERLANDS · MP POLAND · MP PORTUGAL · MP RUSSIA · MP SPAIN · MP SEWDEN

www.mpelevacion.com

MaGO
MACHINES



MaGO MACHINES

Gearless Machines



MaGO MACHINES



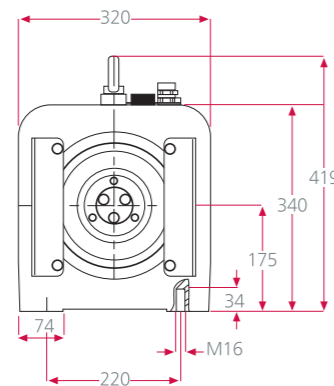
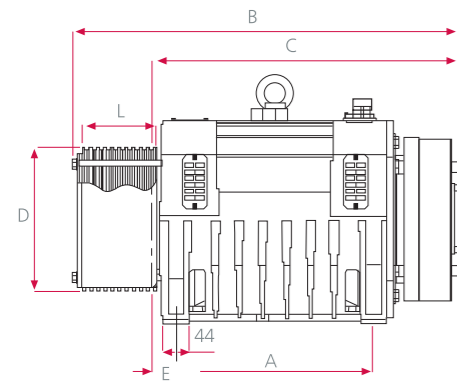
MAGOENV01

TECHNICAL SPECIFICATIONS

• Rated speed (m/s)	≤ 1.6
• Travel (without chain)	≤ 48 (≤ 27)
• Poles	14
• Startings-hr	180
• ED	40%
• Isolation	F
• Noise	< 44 dBA

DIMENSIONS

	A (mm)	B (mm)	ØD = Ø240			ØD = Ø320		
			C (mm)	L (mm)	E (mm)	C (mm)	L (mm)	E (mm)
MaGO-75 / 100 / 125	250	550	436	100	43	448	105	54
MaGO-150 / 175 / 200	330	645	515	124	43	527	105	54
MaGO-225 / 250 / 275	410	700	-	-	-	595	105	54



MaGO SELECT TABLE

SUSPENSION 1:1 (speed 1m/s)

Load (kg)	MODEL	MAX. STATIC LOAD (kg)	Sheave (mm)	Max. Rope (mm)	Current (A)	Rated speed (rpm)	Power (kW)	Brake	Weight (kg)
300	MaGO-125.1.240	3000	ø240	10x ø6.5	7	80	2.5	DC105/205V 0.7 1/1.46A	190
	MaGO-150.1.320	3000	ø320	8x ø8	6.5	60	2.3	DC207V 0.48A	200
375	MaGO-150.1.240	3000	ø240	10x ø6.5	8.5	80	3.0	DC207V 0.48A	200
	MaGO-175.1.320	3000	ø320	8x ø8	7.9	60	2.6	DC207V 0.48A	215
450	MaGO-225.1.240	3000	ø240	10x ø6.5	10.3	80	3.5	DC207V 0.48A	215
	MaGO-225.1.320	3000	ø320	8x ø8	10.6	60	3.4	DC204V 0.95A	245
525	MaGO-200.1.240	3000	ø240	10x ø6.5	11.8	80	4.0	DC207V 0.48A	230
	MaGO-250.1.320	3000	ø320	8x ø8	11.8	60	3.8	DC204V 0.95A	260
630	MaGO-275.1.320	3000	ø320	8x ø8	13.0	60	4.2	DC204V 0.95A	275

* Notas: Datos calculados para una eficiencia de hueco del 80% usando máquina MaGO y ascensor MPGO.
La tabla es una referencia para seleccionar nuestra máquina. Debe ser calculado para su ascensor.

SUSPENSION 2:1 (speed 1m/s)

Load (kg)	MODEL	MAX. STATIC LOAD (kg)	Sheave (mm)	Max. Rope (mm)	Current (A)	Rated speed (rpm)	Power (kW)	Brake	Weight (kg)
300	MaGO-75.2.320	2500	ø320	8x ø8	8.4	120	2.3	DC105/205V 0.7 1/1.46A	170
375	MaGO-75.2.240	2500	ø240	10x ø6.5	10.4	159	3.0	DC105/205V 0.7 1/1.46A	170
	MaGO-100.2.320	2500	ø320	8x ø8	9.4	120	3.0	DC105/205V 0.7 1/1.46A	180
450	MaGO-100.2.240	2500	ø240	10x ø6.5	11.7	159	4.0	DC105/205V 0.7 1/1.46A	180
	MaGO-125.2.320	2500	ø320	8x ø8	10.2	120	3.8	DC105/205V 0.7 1/1.46A	190
630	MaGO-125.2.240	2500	ø240	10x ø6.5	12.6	159	5.0	DC105/205V 0.7 1/1.46A	190
	MaGO-150.2.320	2500	ø320	8x ø8	12.4	120	4.5	DC207V 0.48A	200
750	MaGO-150.2.240	2500	ø240	10x ø6.5	15.3	159	6.0	DC207V 0.48A	200
	MaGO-175.2.320	2500	ø320	8x ø8	15.0	120	5.3	DC207V 0.48A	215
1000	MaGO-175.2.240	2500	ø240	10x ø6.5	18.6	159	7.0	DC207V 0.48A	215
	MaGO-225.2.320	2500	ø320	8x ø8	19.4	120	6.8	DC204V 0.95A	245
1250	MaGO-275.2.320	2500	ø320	8x ø8	23.7	120	8.3	DC204V 0.95A	275

* Notas: Data calculated for shaf efficiency 85% with MaGO machine and MPGO! lift
The table is just for reference to select our machine, and should calculate for your elevator.

